



产品及应用/products applications

- ◆ 具有 dv/dt 抑制效果
- ◆ 较好的传导滤波器效果
- ◆ 可替代大部分进口原装滤波器
- ◆ 为伺服、变频器及干扰特别严重的场合设计

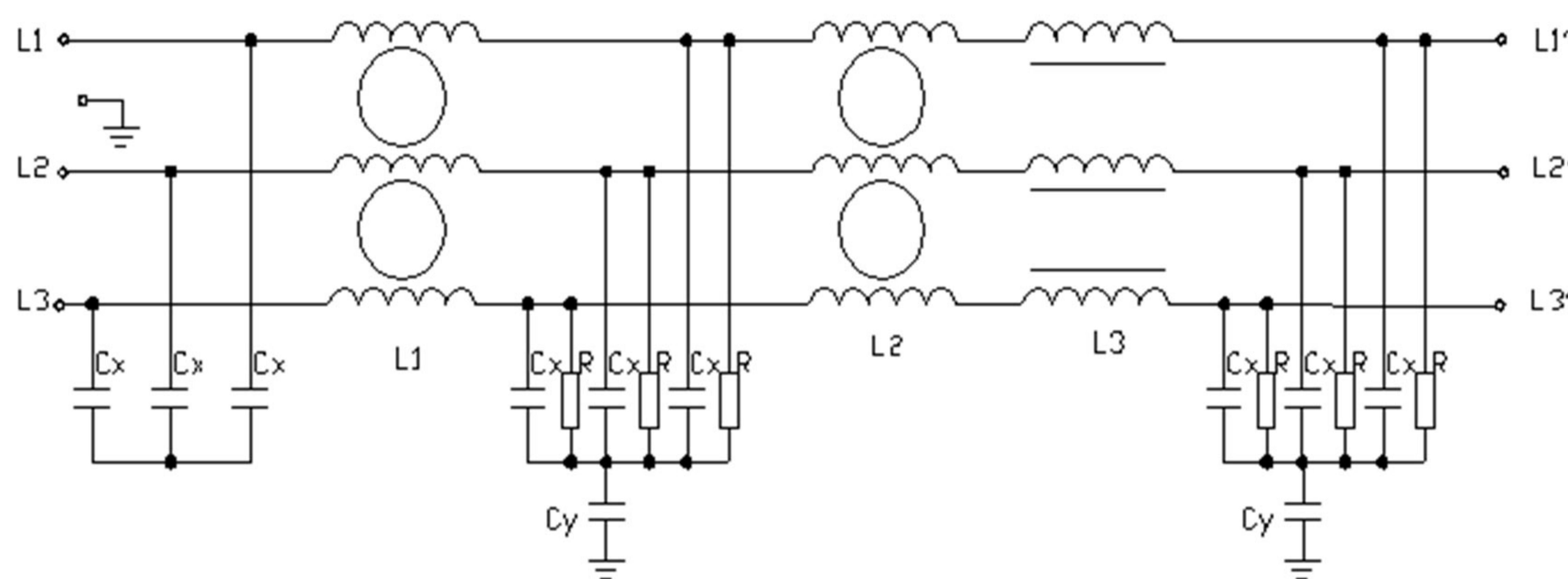


技术参数/Specification

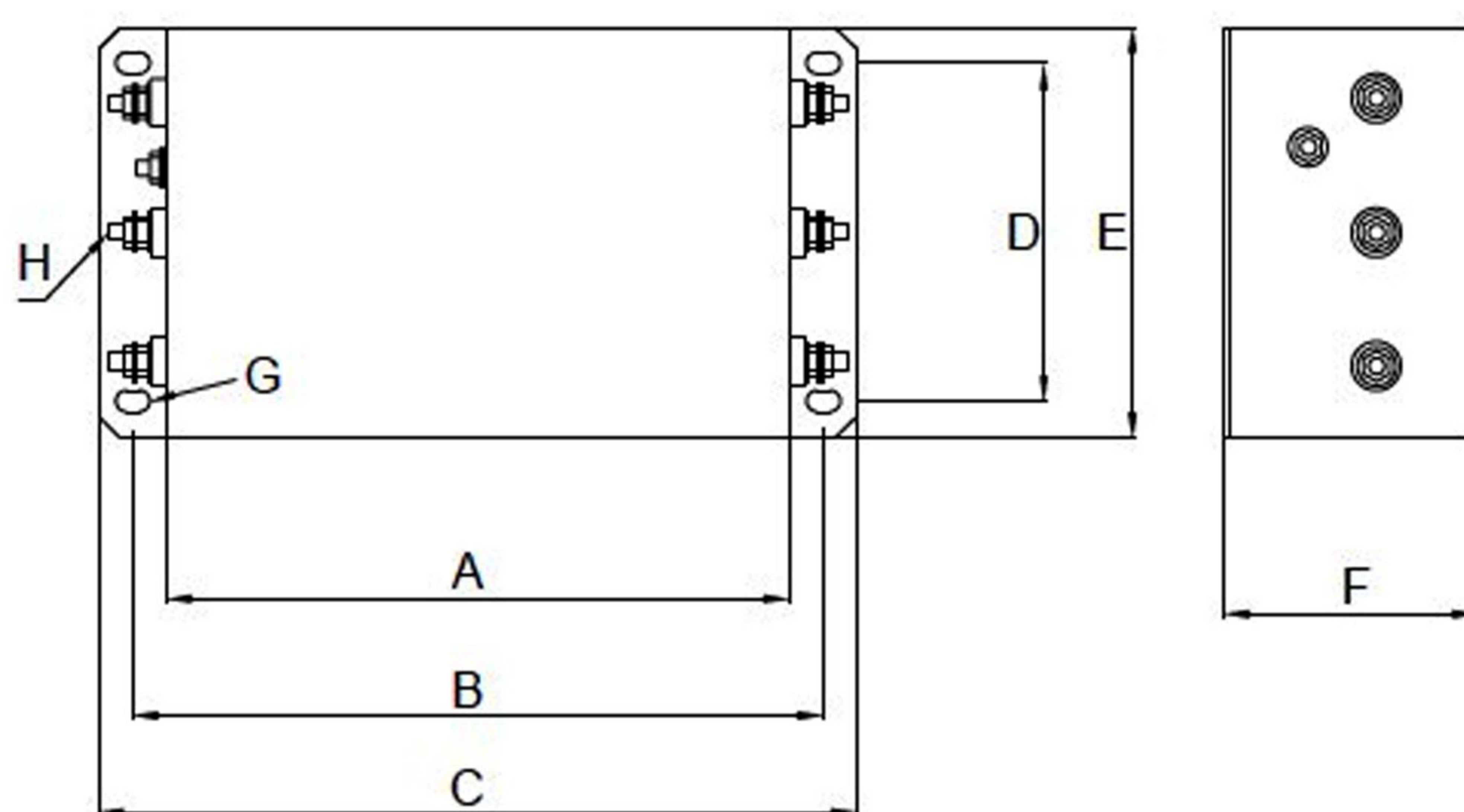
最高工作电压 (VAC)	工作频率 Operating frequency Hz	试验电压 Hipot test voltage		工作温度 Operating temperature	绝缘电阻 Minimum insulation resistance
		P-N(VDC)	PN-E(VDC)		
520	50/60	2250	2700	-25~+85°C	>200M @500VDC

产品型号 FILTER	端接方式 Connections		额定电流 Current rating (@40°C) A	外形尺寸 Housing	泄漏电流 Leakage current	变频器功率 Inverter power (KW)	重量 Weight(g)
							
ME920-5	---	M4	5A	N2	<5.0mA	0.75/1.5	1100
ME920-8	---	M4	8A	N2	<5.0mA	2.2/3.7	1100
ME920-10	---	M4	10A	N2	<5.0mA	4	1100
ME920-16	---	M4	16A	N5	<5.0mA	5.5/7.5	1500
ME920-20	---	M4	16A	N5	<5.0mA	8	1500
ME920-30	---	M6	30A	N5	<7.5mA	11/15	1500
ME920-45	---	M6	45A	N10	<15mA	18.5/22	2500
ME920-60	---	M6	60A	N10	<20mA	25/28	3000
ME920-75	---	M8	75A	N12	<20mA	30/37	7000
ME920-100	---	M8	100A	N12	<25mA	45	7000
ME920-120	---	M8	120A	N12	<25mA	55	7000
ME920-150	---	M10	150A	N15	<30mA	75	10000
ME920-200	---	M10	200A	N15	<30mA	90	10000
ME920-250	---	M10	250A	N15	<30mA	110	10000
ME920-300	Bar	---	300A	N30	<45mA	125/132/150	14000
ME920-420	Bar	---	420A	N30	<45mA	160/210/220	14000
ME920-500	Bar	---	500A	N60	<50mA	250/260	16000
ME920-600	Bar	---	600A	N60	<50mA	280/315	16000
ME920-800	Bar	---	800A	N80	<60mA	400	20000
ME920-1000	Bar	---	1000A	N90	<60mA	500	22000
ME920-1100	Bar	---	1100A	N90	<80mA	550	22000
ME920-1200	Bar	---	1200A	N90	<90mA	600	23000
ME920-1600	Bar	---	1600A	N100	<90mA	700	23000

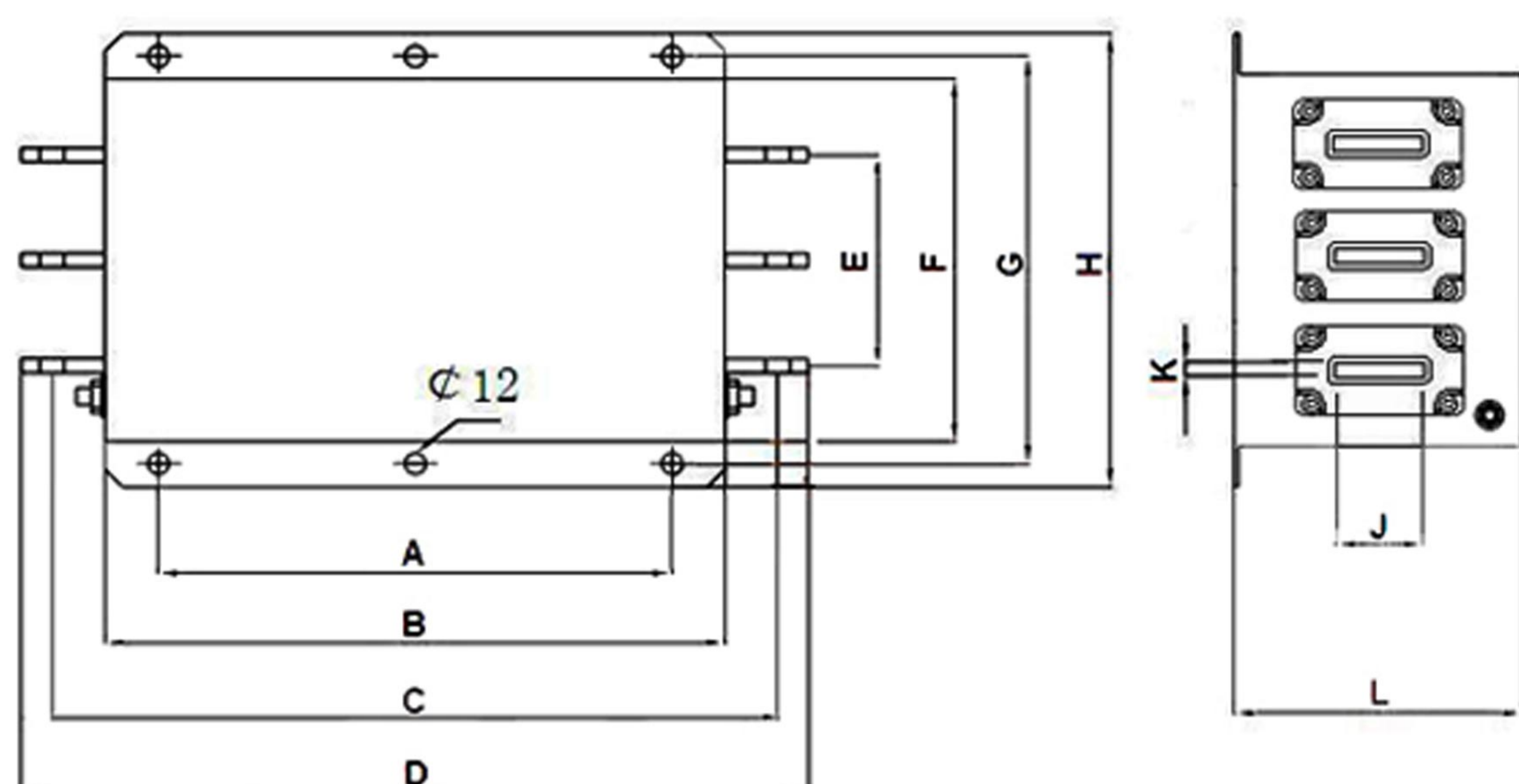
电路原理图/Circuit Diagram



外型尺寸/Housing and dimensions: (mm)



	A	B	C	D	E	F	G	H
N2	110	125±1.0	140	70±0.5	93	56	5.3*7	M4
N5	150	168±1.5	186	85±0.5	108	60	6.4*9	M6
N10	200	220±1.5	240	100±1.0	125	80	6.4*9	M6
N12	260	286±2.5	314	140±1.0	175	107	8.8*14	M8
N15	300	326±3.0	354	150±1.5	185	115	8.8*14	M10



	A	B	C	D	E	F	G	H	K	J	L
N30	240±2.0	300	360	394	120	210	235±2.0	260	5.0	25	115
N60	290±2.0	350	410	444	120	210	230±2.0	256	6.0	30	162
N80	290±2.0	350	446	475	120	210	230±2.0	256	8.0	40	162
N90	290±2.0	350	456	485	120	210	230±2.0	256	10	50	162
N100	290±2.0	350	456	485	120	210	230±2.0	256	10	60	162